

SECTION **HRN**  
HORN

A  
B  
C  
D  
E  
F  
G  
H  
I  
J  
K  
M  
N  
O  
P

CONTENTS

<b>DTC/CIRCUIT DIAGNOSIS</b> .....	2	Precaution for Supplemental Restraint System (SRS) "AIR BAG" and "SEAT BELT PRE-TENSIONER" .....	5
<b>HORN</b> .....	2	Precaution for Battery Service .....	5
Wiring Diagram - HORN - .....	2	<b>REMOVAL AND INSTALLATION</b> .....	6
<b>PRECAUTION</b> .....	5	<b>HORN</b> .....	6
<b>PRECAUTIONS</b> .....	5	Exploded View .....	6
		Removal and Installation .....	6

HRN

# HORN

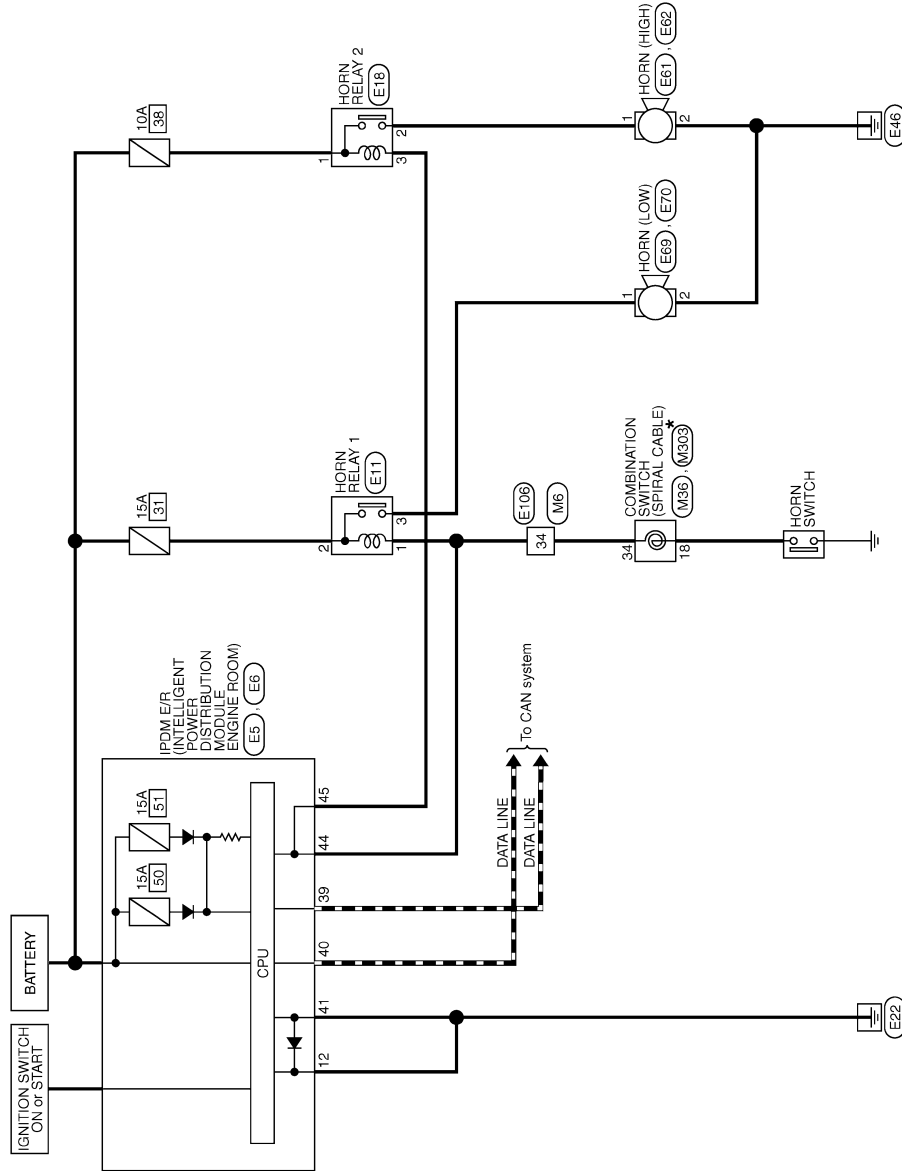
< DTC/CIRCUIT DIAGNOSIS >

## DTC/CIRCUIT DIAGNOSIS

### HORN

#### Wiring Diagram - HORN -

INFOID:000000004372745



\* : This connector is not shown in "Harness Layout".

HORN

2009/02/27

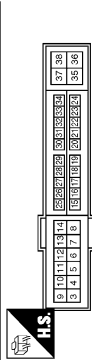
JCLWA3407GB

# HORN

## < DTC/CIRCUIT DIAGNOSIS >

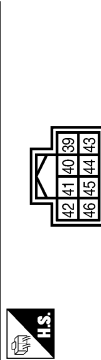
### HORN

Connector No.	E5
Connector Name	BRAKE IN INTELLIGENT POWER DISTRIBUTION MODULE (ENGINE ROOM)
Connector Type	TH03FW-GS12-IM4-IV



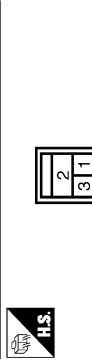
Terminal No.	Color of Wire	Signal Name [Specification]
12	B/W	-

Connector No.	E6
Connector Name	BRAKE IN INTELLIGENT POWER DISTRIBUTION MODULE (ENGINE ROOM)
Connector Type	TH03FW-NH



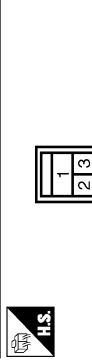
Terminal No.	Color of Wire	Signal Name [Specification]
39	P	-
40	L	-
41	B/W	-
44	W	-
45	G	-

Connector No.	E11
Connector Name	HORN RELAY 1
Connector Type	2438L-7930A



Terminal No.	Color of Wire	Signal Name [Specification]
1	LG	-
2	SB	-
3	G	-

Connector No.	E18
Connector Name	HORN RELAY 2
Connector Type	M03FW-R-LC



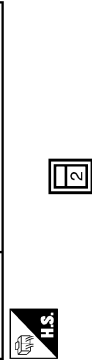
Terminal No.	Color of Wire	Signal Name [Specification]
1	P	-
2	Y	-
3	G	-

Connector No.	E61
Connector Name	HORN (HIGH)
Connector Type	PO1FB-A



Terminal No.	Color of Wire	Signal Name [Specification]
1	Y	-

Connector No.	E62
Connector Name	HORN (HIGH)
Connector Type	PO1FB-A



Terminal No.	Color of Wire	Signal Name [Specification]
2	B	-

Connector No.	E69
Connector Name	HORN (LOW)
Connector Type	PO1FB-A



Terminal No.	Color of Wire	Signal Name [Specification]
1	G	-

Connector No.	E70
Connector Name	HORN (LOW)
Connector Type	PO1FB-A



Terminal No.	Color of Wire	Signal Name [Specification]
2	B	-

A  
B  
C  
D  
E  
F  
G  
H  
I  
J  
K  
HRN  
M  
N  
O  
P

JCLWA3408GB

# HORN

## < DTC/CIRCUIT DIAGNOSIS >

### HORN

Connector No.	E106	Connector No.	M303
Connector Name	WIRE TO WIRE	Connector Name	COMBINATION SWITCH (SPIRAL CABLE)
Connector Type	THBDFW-CS16-TM4	Connector Type	TK08FGY

Terminal No.	34	Terminal No.	18
Color of Wire	LG	Color of Wire	--
Signal Name [Specification]	--	Signal Name [Specification]	--

Connector No.	M305	Connector No.	M306
Connector Name	WIRE TO WIRE	Connector Name	COMBINATION SWITCH (SPIRAL CABLE)
Connector Type	THBDMW-CS16-TM4	Connector Type	TK08FGY-TV

Terminal No.	34	Terminal No.	34
Color of Wire	LG	Color of Wire	LG
Signal Name [Specification]	--	Signal Name [Specification]	--

Connector No.	M6	Connector No.	M305
Connector Name	WIRE TO WIRE	Connector Name	COMBINATION SWITCH (SPIRAL CABLE)
Connector Type	THBDMW-CS16-TM4	Connector Type	TK08FGY-TV

Terminal No.	34	Terminal No.	34
Color of Wire	LG	Color of Wire	LG
Signal Name [Specification]	--	Signal Name [Specification]	--

Connector No.	E106	Connector No.	M303
Connector Name	WIRE TO WIRE	Connector Name	COMBINATION SWITCH (SPIRAL CABLE)
Connector Type	THBDFW-CS16-TM4	Connector Type	TK08FGY

Terminal No.	34	Terminal No.	18
Color of Wire	LG	Color of Wire	--
Signal Name [Specification]	--	Signal Name [Specification]	--

Connector No.	M305	Connector No.	M306
Connector Name	WIRE TO WIRE	Connector Name	COMBINATION SWITCH (SPIRAL CABLE)
Connector Type	THBDMW-CS16-TM4	Connector Type	TK08FGY-TV

Terminal No.	34	Terminal No.	34
Color of Wire	LG	Color of Wire	LG
Signal Name [Specification]	--	Signal Name [Specification]	--

Connector No.	M6	Connector No.	M305
Connector Name	WIRE TO WIRE	Connector Name	COMBINATION SWITCH (SPIRAL CABLE)
Connector Type	THBDMW-CS16-TM4	Connector Type	TK08FGY-TV

Terminal No.	34	Terminal No.	34
Color of Wire	LG	Color of Wire	LG
Signal Name [Specification]	--	Signal Name [Specification]	--

JCLWA3409GB

# PRECAUTIONS

< PRECAUTION >

## PRECAUTION

### PRECAUTIONS

#### Precaution for Supplemental Restraint System (SRS) "AIR BAG" and "SEAT BELT PRE-TENSIONER"

INFOID:000000004372746

The Supplemental Restraint System such as "AIR BAG" and "SEAT BELT PRE-TENSIONER", used along with a front seat belt, helps to reduce the risk or severity of injury to the driver and front passenger for certain types of collision. This system includes seat belt switch inputs and dual stage front air bag modules. The SRS system uses the seat belt switches to determine the front air bag deployment, and may only deploy one front air bag, depending on the severity of a collision and whether the front occupants are belted or unbelted. Information necessary to service the system safely is included in the "SRS AIR BAG" and "SEAT BELT" of this Service Manual.

#### **WARNING:**

- To avoid rendering the SRS inoperative, which could increase the risk of personal injury or death in the event of a collision that would result in air bag inflation, all maintenance must be performed by an authorized NISSAN/INFINITI dealer.
- Improper maintenance, including incorrect removal and installation of the SRS, can lead to personal injury caused by unintentional activation of the system. For removal of Spiral Cable and Air Bag Module, see the "SRS AIR BAG".
- Do not use electrical test equipment on any circuit related to the SRS unless instructed to in this Service Manual. SRS wiring harnesses can be identified by yellow and/or orange harnesses or harness connectors.

#### PRECAUTIONS WHEN USING POWER TOOLS (AIR OR ELECTRIC) AND HAMMERS

#### **WARNING:**

- When working near the Air Bag Diagnosis Sensor Unit or other Air Bag System sensors with the ignition ON or engine running, DO NOT use air or electric power tools or strike near the sensor(s) with a hammer. Heavy vibration could activate the sensor(s) and deploy the air bag(s), possibly causing serious injury.
- When using air or electric power tools or hammers, always switch the ignition OFF, disconnect the battery, and wait at least 3 minutes before performing any service.

#### Precaution for Battery Service

INFOID:000000004372747

Before disconnecting the battery, lower both the driver and passenger windows. This will prevent any interference between the window edge and the vehicle when the door is opened/closed. During normal operation, the window slightly raises and lowers automatically to prevent any window to vehicle interference. The automatic window function will not work with the battery disconnected.

A

B

C

D

E

F

G

H

I

J

K

HRN

M

N

O

P

# HORN

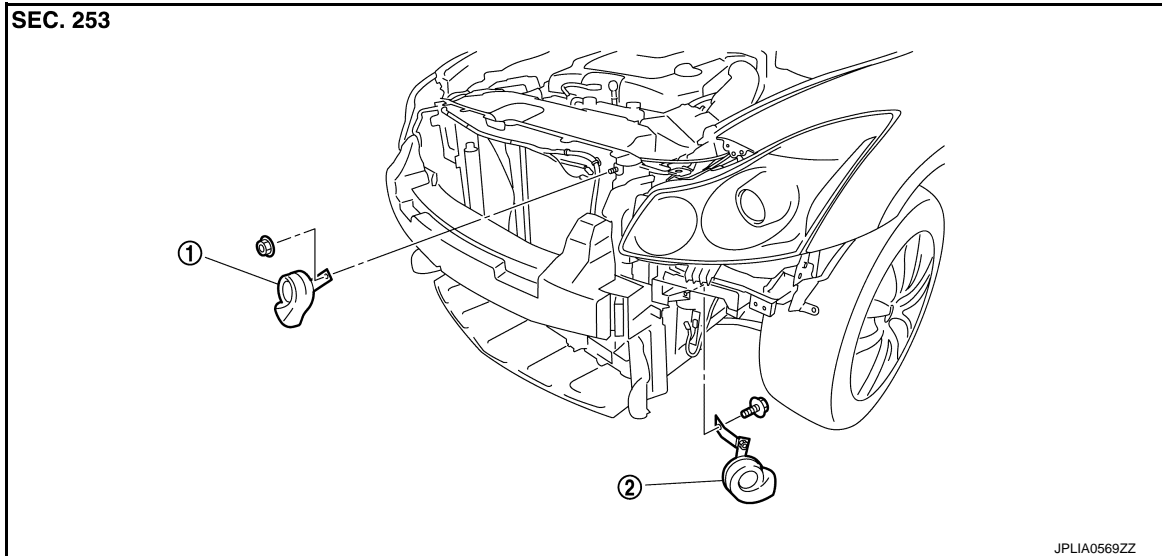
< REMOVAL AND INSTALLATION >

## REMOVAL AND INSTALLATION

### HORN

#### Exploded View

INFOID:000000004372748



1. Horn (LOW)

2. Horn (HIGH)

### Removal and Installation

INFOID:000000004372749

#### REMOVAL

##### Horn (LOW)

1. Remove radiator core support ornament. Refer to [DLK-285, "Exploded View"](#).
2. Disconnect the horn (LOW) connector.
3. Remove the horn mounting nut, and remove the horn (LOW) from the vehicle.

##### Horn (HIGH)

1. Remove fender protector (LH). Refer to [EXT-24, "FENDER PROTECTOR : Exploded View"](#).
2. Disconnect the horn (HIGH) connector.
3. Remove the horn mounting bolt, and remove the horn (HIGH) from the vehicle.

#### INSTALLATION

Install in the reverse order of removal.